

IASO®

Better Outside

TECHNICAL DATA SHEET

ENGLISH

AWNING

WITHOUT BOX

AUREA



INDEX	—	02 DESCRIPTION
		02 TECHNICAL CHARACTERISTICS
		02 DIMENSIONS
		02 MAIN MATERIALS
		02 INSTALLATION OPTIONS
		02 LIGHTING
		03 PROJECTION DIAGRAM
		03 EXPLODED VIEW
		04 SUPPORT DIMENSIONS
		05 PRODUCT CLASSIFICATION
		05 KNOWLEDGE SOURCES
		05 WIND CLASSIFICATION
		05 PRECIPITATION CLASSIFICATION
		06 MOTOR COMPATIBILITY
		06 MOTOR-TUBE COMPATIBILITY (Ø)
		06 MOTORISATION
		07 ACRYLIC FABRIC CONFIGURATION
		07 PLASTIC FABRIC CONFIGURATION
		08 EMITTERS
		10 OPTIONS AND ACCESSORIES

DESCRIPTION

The AUREA awning model is well-established thanks to its excellent performance and high-quality finishes. Practical and contemporary, the awning integrates seamlessly into a wide variety of architectural settings. It is the most commonly used awning model for residential communities. Its design—simple yet robust—and its discreet, modern appearance make this model a universal solution widely used for installation on terraces and balconies.

TECHNICAL CHARACTERISTICS

- Retractable arm awning
- Chain-driven invisible arms
- Manual operation via 9:1 reduction gear and crank handle
- Front, ceiling or wall-to-wall installation
- System with independent brackets

DIMENSIONS

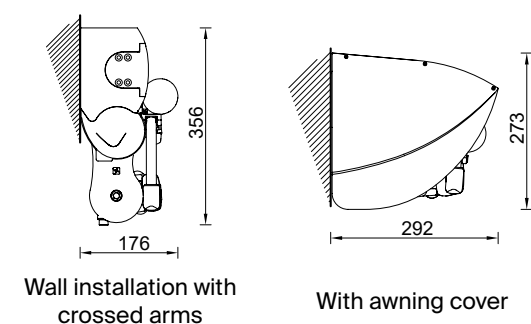
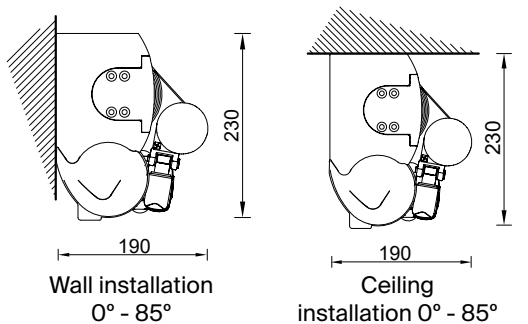
WIDTH	min. 2,00m - max. 6,00m
PROJECTION	min. 1,60m - max. 3,10m

MAIN MATERIALS

- Extruded aluminium profiles
- Cast aluminium brackets
- INOX stainless steel
- Acrylic fabric 300 g/m² or 360 g/m² (others: consult)
- Stainless steel arm chain

INSTALLATION

OPTIONS

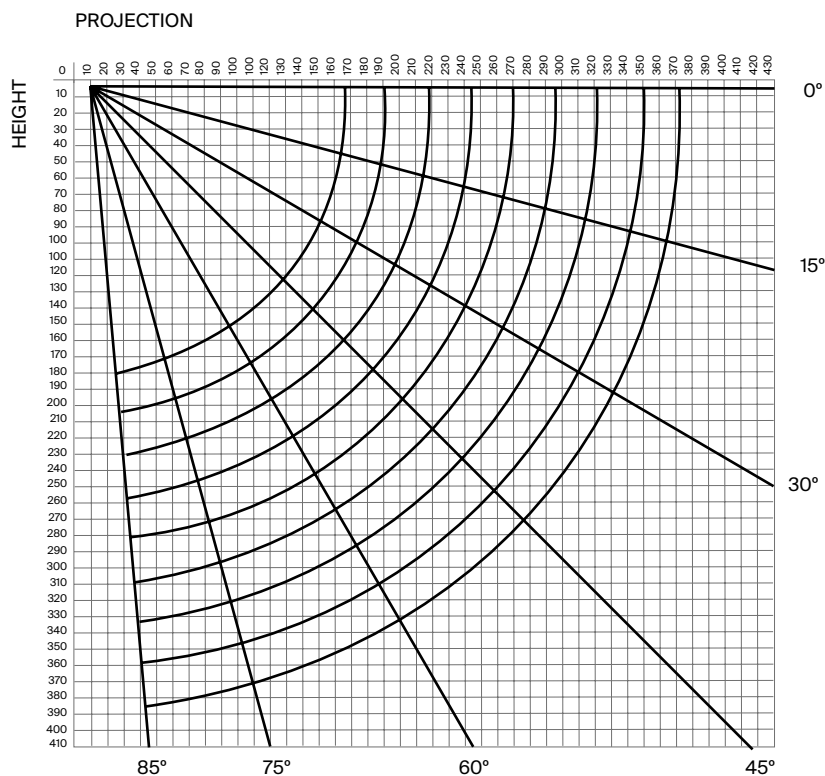


LIGHTING

ARMS	CASSETTE	SIDE LIDS
Yes	No	No

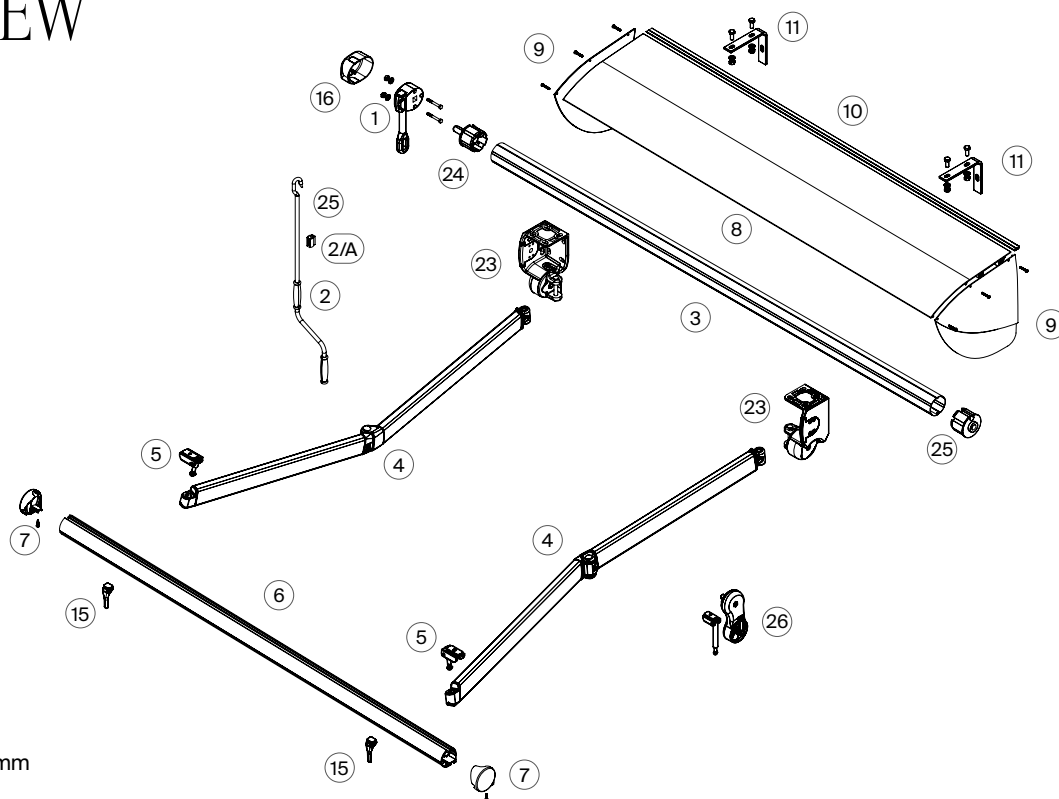
PROJECTION DIAGRAM

Wall / ceiling mounting



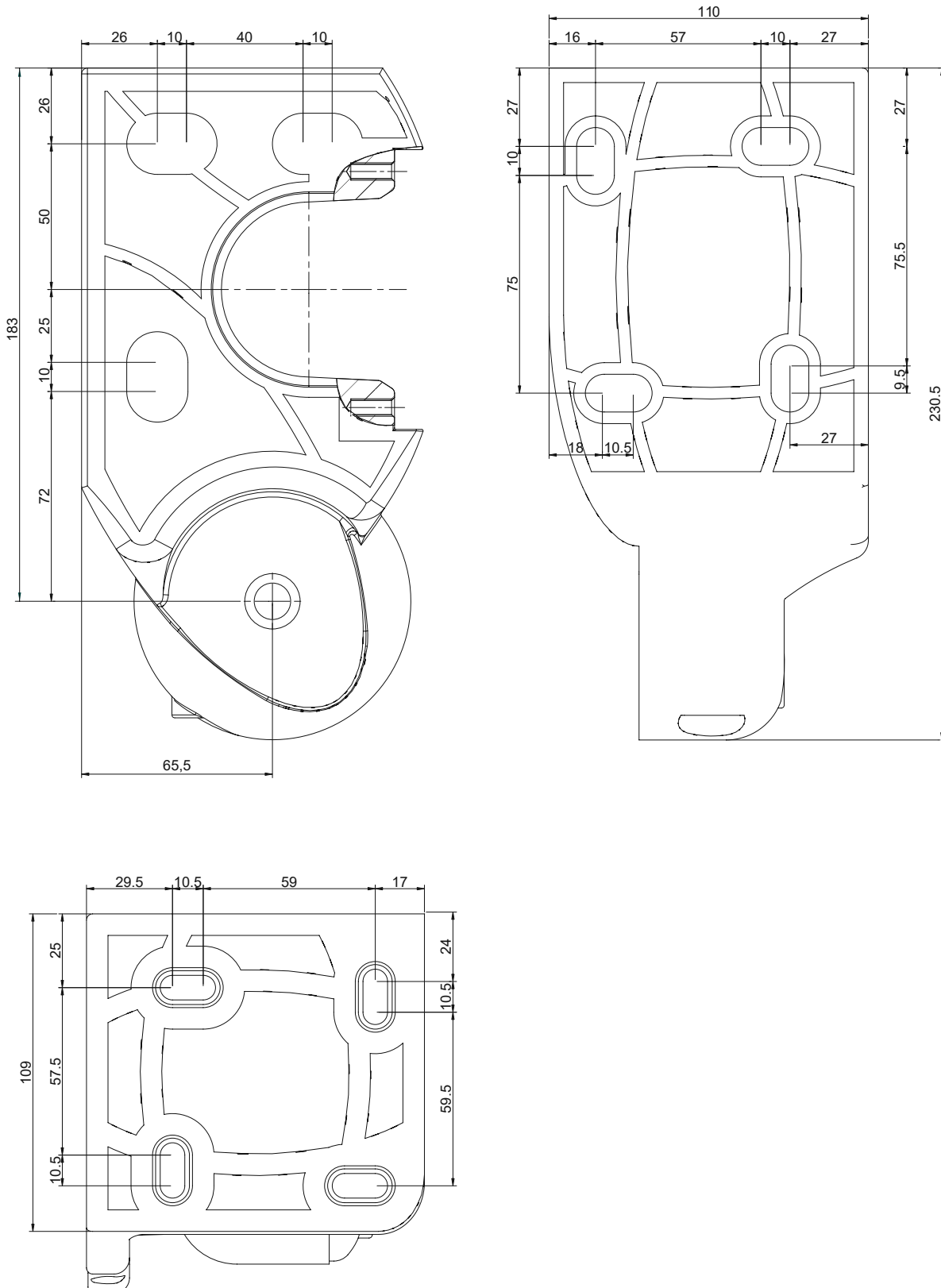
EXPLODED VIEW

- 1 Reducer mechanism
- 2 Crank handle
- 2-A Crank handle support
- 3 Roller tube
- 4 Arms with cable "SPIN"
- 5 Sliders form arms "SPIN"
- 6 Ts front bar (load bar)
- 7 End caps for front bar
- 8 Awning cover
- 9 End caps for awning cover
- 10 Rubber
- 11 Wall supports for awning cover
- 15 Arm-retraction sliders
- 16 Reducer mechanism cover 9:1
- 23 Complete bracket kit
- 24 Bushing with square axle 13x25 mm
- 25 Bushing with round axle Ø14 mm
- 26 Crossed arms kit

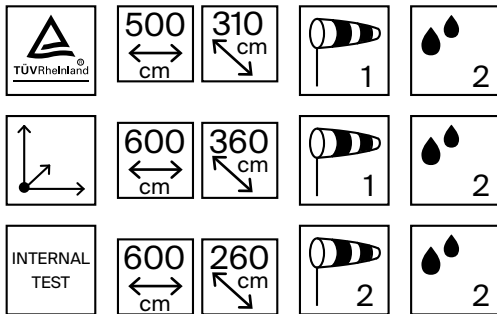


SUPPORT DIMENSIONS

Wall / ceiling bracket
Dimensions in mm



PRODUCT CLASSIFICATION



KNOWLEDGE SOURCES

The following data are available for the study:

- Geometry and materials of all the elements that make up the parasol.
- Applicable specific regulations:

UNE EN 1999-1-1 Eurocode 9: Design of aluminium structures.

UNE EN 13561: External blinds and awnings. Performance requirements including safety.

WIND CLASSIFICATION



CLASS	Grade Beaufort	Wind speed		Pressure	Environmental condition
1	0	0 - 1 km/h	0.0 - 0.3 m/s	0.05 N/m ²	Calm
	1	1 - 5 km/h	0.3 - 1.4 m/s	1.21 N/m ²	Very light breeze
	2	6 - 11 km/h	1.7 - 3.1 m/s	5.84 N/m ²	Light breeze
	3	12 - 19 km/h	3.4 - 5.3 m/s	17.41 N/m²	Gentle breeze
2	4	20 - 28 km/h	5.6 - 7.8 m/s	37.81 N/m ²	Moderate wind
3	5	29 - 38 km/h	8.1 - 10.6 m/s	69.64 N/m ²	Fresh wind

PRECIPITATION CLASSIFICATION



CLASS	Average intensity in one hour (mm/h)	Environmental condition
1	≤ 2	Weak
2	> 2 y ≤ 15	Moderate

ACRYLIC FABRIC CONFIGURATION

PROJECTION (m)	WIDTH (m)								
	2,00	2,50	3,00	3,50	4,00	4,50	5,00	5,50	6,00
1,60	2/2/60*/ TS3	2/2/60*/ TS3	2/2/60*/ TS3	2/2/60*/ TS3	2/2/60*/ TS3	2/2/70/ TS3	2/2/70/ TS3	2/2/70/ TS3	2/2/70/ TS3
1,85	2/2/60*/ TS3	2/2/60*/ TS3	2/2/60*/ TS3	2/2/60*/ TS3	2/2/60*/ TS3	2/2/70/ TS3	2/2/70/ TS3	2/2/70/ TS3	2/2/70/ TS3
2,10	2/2/60*/ TS3	2/2/60*/ TS3	2/2/60*/ TS3	2/2/60*/ TS3	2/2/60*/ TS3	2/2/70/ TS3	2/2/70/ TS3	2/2/70/ TS3	2/2/70/ TS3
2,35	2/2/60*/ TS3	2/2/60*/ TS3	2/2/60*/ TS3	2/2/60*/ TS3	2/2/60*/ TS3	2/2/70/ TS3	2/2/70/ TS3	2/2/70/ TS3	2/2/70/ TS3
2,60	2/2/60*/ TS3	2/2/60*/ TS3	2/2/60*/ TS3	2/2/60*/ TS3	2/2/60*/ TS3	2/2/70/ TS3	2/2/70/ TS3	2/2/70/ TS3	2/2/70/ TS3
2,85	2/2/60*/ TS3	2/2/60*/ TS3	2/2/60*/ TS3	2/2/60*/ TS3	2/2/60*/ TS3	2/2/70/ TS3	2/2/70/ TS3	2/2/70/ TS3	2/2/70/ TS3
3,10	2/2/60*/ TS3	2/2/60*/ TS3	2/2/60*/ TS3	2/2/60*/ TS3	2/2/60*/ TS3	2/2/70/ TS3	2/2/70/ TS3	2/2/70/ TS3	2/2/70/ TS3

* Arms / Supports / Ø Roller Tube / Front Bar Option with Crossed Arms

* All Ø60 mm tubes must be replaced with Ø70 mm tubes when the awning includes motorisation.

PLASTIC FABRIC CONFIGURATION

PROJECTION (m)	WIDTH (m)						
	2,00	2,50	3,00	3,50	4,00	4,50	5,00
1,60	2/2/80/ TS3	2/2/80/ TS3	2/2/80/ TS3	2/2/80/ TS3	2/2/80/ TS3	2/2/80/ TS3	2/2/80/ TS3
1,85	2/2/80/ TS3	2/2/80/ TS3	2/2/80/ TS3	2/2/80/ TS3	2/2/80/ TS3	2/2/80/ TS3	2/2/80/ TS3
2,10	2/2/80/ TS3	2/2/80/ TS3	2/2/80/ TS3	2/2/80/ TS3	2/2/80/ TS3	2/2/80/ TS3	2/2/80/ TS3
2,35	2/2/80/ TS3	2/2/80/ TS3	2/2/80/ TS3	2/2/80/ TS3	2/2/80/ TS3	2/2/80/ TS3	2/2/80/ TS3
2,60	2/2/80/ TS3	2/2/80/ TS3	2/2/80/ TS3	2/2/80/ TS3	2/2/80/ TS3	2/2/80/ TS3	2/2/80/ TS3
2,85	2/2/80/ TS3	2/2/80/ TS3	2/2/80/ TS3	2/2/80/ TS3	2/2/80/ TS3	2/2/80/ TS3	2/2/80/ TS3
3,10	2/2/80/ TS3	2/2/80/ TS3	2/2/80/ TS3	2/2/80/ TS3	2/2/80/ TS3	2/2/80/ TS3	2/2/80/ TS3

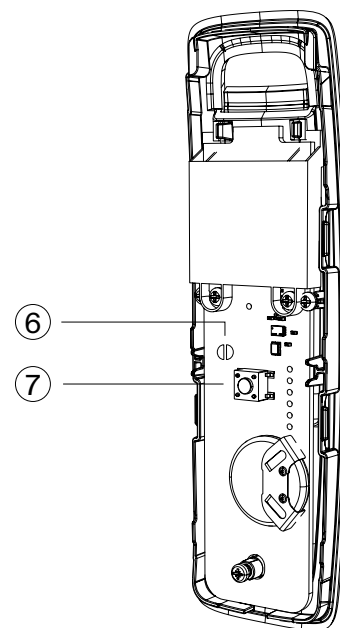
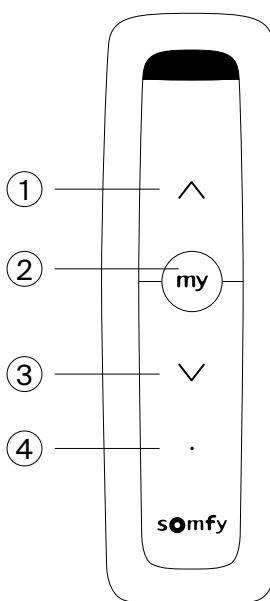
* Arms / Supports / Ø Roller Tube / Front Bar Option with Crossed Arms

EMITTERS

SOMFY SITUO 1

Frequency	IO 868 MHz
Gutters	1
Power supply	CR2032 3V
Operating range	50 m (20 m interior)
Protection rating	IP30
Dimensions	139 × 42 × 16 mm

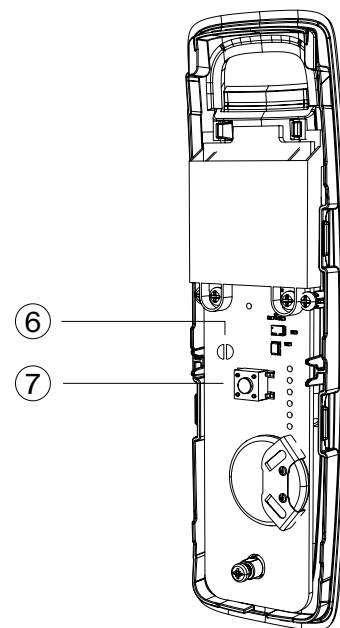
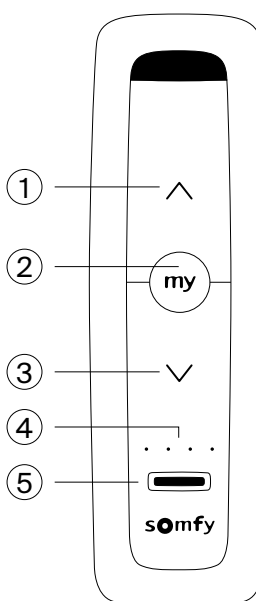
- ① Up/On/Open button
- ② STOP/my button
- ③ Down/Off/Close button
- ④ Button activation indicator light
- ⑥ PROG button
- ⑦ Specific autonomous mode selector



SOMFY SITUO 5

Frequency	IO 868 MHz
Gutters	5
Power supply	CR2430 3V
Operating range	50 m (20 m interior)
Protection rating	IP30
Dimensions	139 × 42 × 16 mm

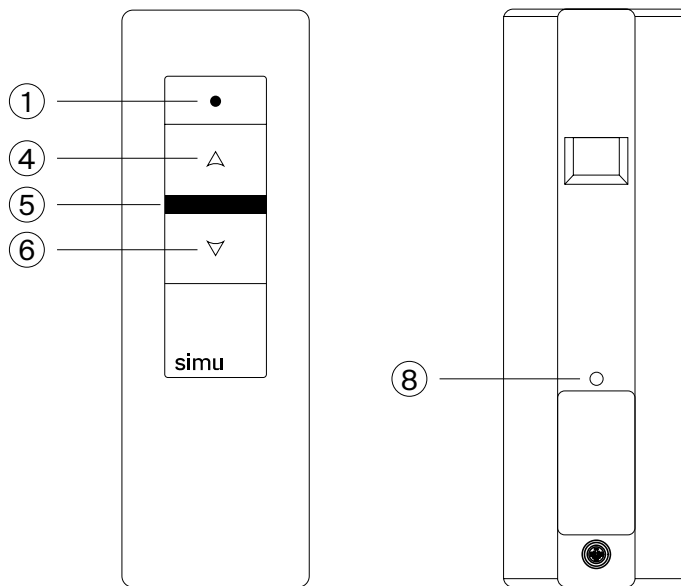
- ① Up/On/Open button
- ② STOP/my button
- ③ Down/Off/Close button
- ④ Button activation and group selection indicator light
- ⑤ Group selector
- ⑥ PROG button
- ⑦ Specific autonomous mode selector



* Somfy transmitters are exclusively compatible with Somfy motors, and Simu transmitters exclusively with Simu motors.

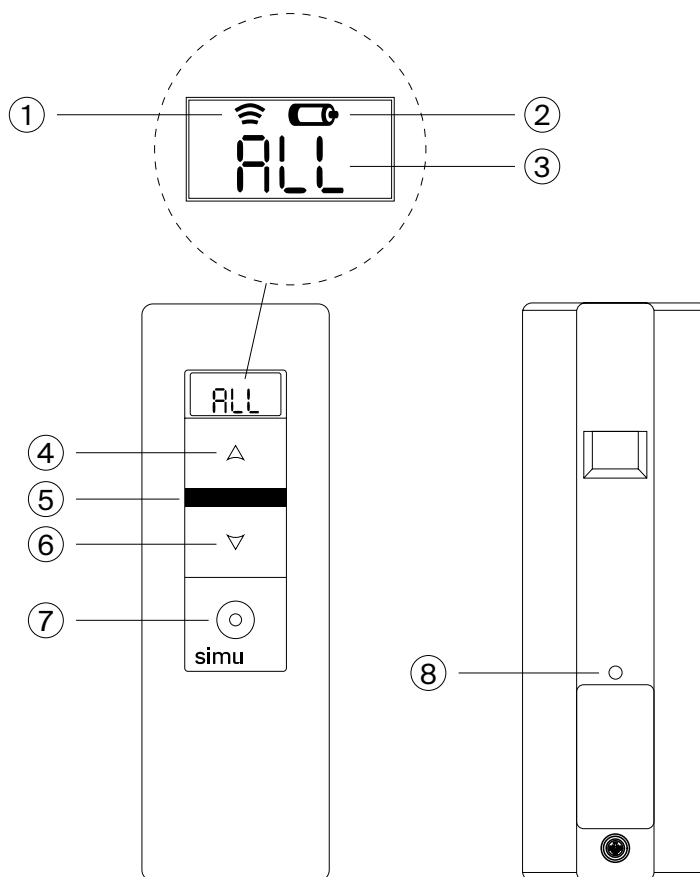
SIMU MOBILE 1C	
Frequency	433,42 MHz
Gutters	1
Power supply	CR2430 3V
Operating range	50 m (20 m interior)
Protection rating	IP30
Dimensions	125 x 40 x 15 mm

- ① Transmission indicator
- ④ UP control button
- ⑤ STOP / P.I. control button
- ⑥ DOWN control button
- ⑧ Programming button "PROG"



SIMU MOBILE 5C	
Frequency	433,42 MHz
Gutters	5
Power supply	CR2430 3V
Operating range	50 m (20 m interior)
Protection rating	IP30
Dimensions	125 x 40 x 15 mm
Screen	Yes

- ① Transmission indicator
- ② Low battery indicator
- ③ Selected channel: 1, 2, 3, 4, 5 or All
- ④ UP control button
- ⑤ STOP / P.I. control button
- ⑥ DOWN control button
- ⑦ Selection button
- ⑧ Programming button "PROG"



OPTIONS AND ACCESSORIES

- Optional electric motor
- Remote control
- Climate sensors
- Adjustable valance
- Lighting
- Electric heaters
- Audio system
- Fabric protection profile
- Lighting valance



We believe in the *elegance* of engineering.